

# STATES

## Type NT and Type ZWM Terminal Blocks



Side view of closed Sliding Link Block

Sliding Link Block with white marker strip

- **Unit-pole construction**
- **Sliding link to permit testing without disturbing wiring**
- **High barriers that prevent shorting between poles**
- **Class 1E qualified per IEEE**

### RECOGNIZED BY UL AND CUL

Underwriters Laboratories Inc. recognizes STATES Type NT and Type ZWM Terminal Blocks under its component program, File No. E147470, with a rating of 600 volts, 30 amperes.

### CLASS 1E QUALIFIED PER IEEE STANDARD 323-1974

Type ZWM Sliding Link Terminal Blocks have successfully completed a generic test program that meets the requirements of most nuclear power plants for Class 1E applications outside of containment. Extensive, accelerated-life testing was conducted by an outside, independent firm and utilized thermal aging, mechanical aging, environmental extremes, radiation exposure and seismic simulation. The service conditions and parameters of the test program included: 41-year life at 131° F (55° C), 600 operations, 95% humidity,  $2.2 \times 10^8$  rads of radiation and 10g maximum acceleration seismic level.

### DESCRIPTION

Featuring a unique “sliding link” disconnect, STATES Type NT and Type ZWM Terminal Blocks function as inexpensive switches to simplify system checkout. Easily and quickly operated, the sliding link provides a means of opening the circuit without removing any wiring. Utilizing unit-pole construction, these terminal blocks are available with up to 73 poles on a single base.

### APPLICATIONS

The popular STATES Types NT and Type ZWM Terminal Blocks are widely acclaimed for their unique disconnect feature. Designed to provide a junction between switchboard wiring and cable wires, it replaces the standard stud and straight-strap type of connection with a sliding-link connection.

The sliding link provides the means for inserting an indicating instrument or artificial load into the circuit without removing any wiring. These terminal blocks greatly simplify system checkout by the test technician and eliminate the possibility of error in reconnection.

### FEATURES AND BENEFITS

- **Sliding link:** Link quickly opens and closes the circuit to permit testing without disturbing any wiring.
- **Unit-pole construction:** Up to 73 poles available
- **Space-saving:** Only 0.625 of an inch (15 mm) center-to-center is used between poles.
- **Operator safety:** The high barrier between poles increases circuit isolation.
- **UL listed:** Terminal blocks are rated for 600 volts, 30 amperes (50 amperes for 250 Series Sliding Link only).
- **Fuse holders:** 250- or 600-volt fuse holders are available if circuits must be fused.
- **Marker strips or tags:** Strips or tags are available to make coding of each circuit fast and easy.
- **Connections:** Blocks are available in front-connected styles.
- **Contacts:** Heavy, nickel-plated, brass contacts are used.
- **Covers:** Black or Clear covers are available.

## ORDERING INFORMATION

### ORDERING INFORMATION

STATES Terminal Blocks are available in a wide variety of configurations and with many optional features to suit your specific applications and requirements.

All blocks are specified by a part number consisting of five digits, which may be preceded by any of several letters and/or followed by a suffix to designate desired features. Use the following codes and the ordering information on this page to determine the part number for this block and features you desire.

#### Prefixes

- B:** Black cover
- C:** Clear cover
- E:** Engraved
- H:** Hinged cover
- M:** White marker strip with black center (for engraving)
- K:** Black marker strip with white center (for engraving)
- SM:** Individual white marker tag
- FM:** Individual red marker tag
- ZWM:** Self-extinguishing barriers and white marker strip; Everdur bronze clamping screws
- ZWSM:** Self-extinguishing barriers and white marker tags; Everdur bronze clamping screws
- EFM:** Engraved red marker tag

#### First 3 Digits

- 250:** Sliding link, with stainless steel linking screw
- 251:** Straight strap
- 258:** please use 250 series

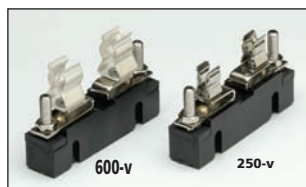
#### Fourth Digit and Fifth Digit — Number of Poles in Block

**Example:** M-25012: Designates a 12-pole block with sliding links and a white marker strip. In this case, M = white marker strip  
250 = sliding link, with stainless steel linking screws  
12 = 12 poles

**Example:** BSM-25106: Designates a 6-pole block with a black cover and white marker tags. In this case, B = black cover, knobbed  
SM = individual white marker tags  
251 = straight strap  
06 = 6 poles

#### Terminal Blocks with Fuse Protection

Should fused protection be required, specify fuse holders by Part No. 6996 for 250-volt fuse holders or Part No. 6995 for 600-volt fuse holders (fuses not included).



600- and 250-volt fuse holders

Also, counting left to right, specify at which position on the terminal block these fuse holders are to be installed.

#### Fuse Size

Part No. 6996 accepts standard cartridge fuses rated 250 VAC 30 AMP. Fuse dimensions must be 1/4" diameter and 1 1/4" in length.

Part No. 6995 accepts standard cartridge fuses rated 600 VAC 30 AMP. Fuse dimensions must be 3/8" diameter and 1 1/2" in length.

#### Straight Strap

When the disconnect feature of the sliding link is not required, the blocks can be provided with a straight-strap connection. These blocks have the same construction and dimensions as the sliding link blocks. Poles with straight-strap connection can be combined on the same block with poles having sliding links or fuse holders.



Straight strap block with white marker strip

#### Shorting-type Terminal Block

Current shorting-type terminal blocks are available in one section, with up to 24 poles. Shorting pins are provided at each pole. There is one blank pole added to each block. The blank pole has provision for two shorting pins to be stored if not in use. For panel layout, use the dimensions of the regular 10-pole shorting block with marker strip; the 11-pole dimensions would be used to lay out mounting holes. The 25100-G series is available with either marker strip or marker tags. Use the hinged cover when the marker strip is used; otherwise, use the regular flat cover.



Shorting-type block with white marker strip

#### Suffix

**G:** Current transformer shorting type block, use with 251 straight strap series only.

#### Note

In special applications where flame-retardant properties are desired, STATES Terminal Blocks can be provided with self-extinguishing barriers and marker strips. Use ZWM prefix.

#### Accessories

**XNT126** - Brass nickel-plated hex nuts 10-32 thread x 3/16" across flats. Part No. XNT126-100

**TBT96** - Individual red marker tags. Part No. TBT96-100

**TBT69** - Individual white marker tags. Part No. TBT69-100 (Above parts are packaged 100 pieces per bag).

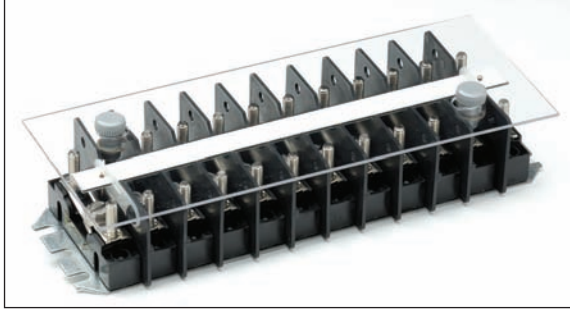


# STATES

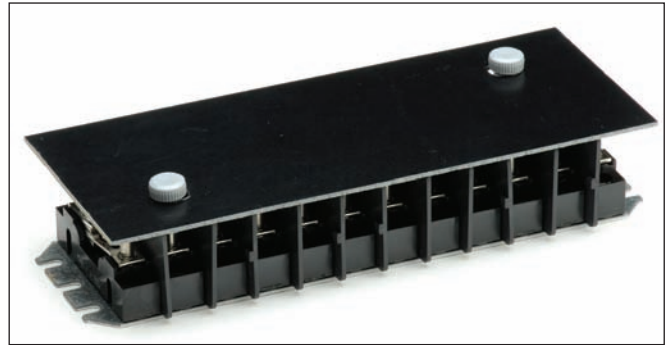
## COVERS

Covers, clear or black, are available in either knobbed or hinged.

The cover is a flat, phenolic-laminated sheet that covers the entire face of the block. Covers are fastened to studs on the end poles of the block by two captive, insulated knobs.



NT sliding link block with knobbed clear cover

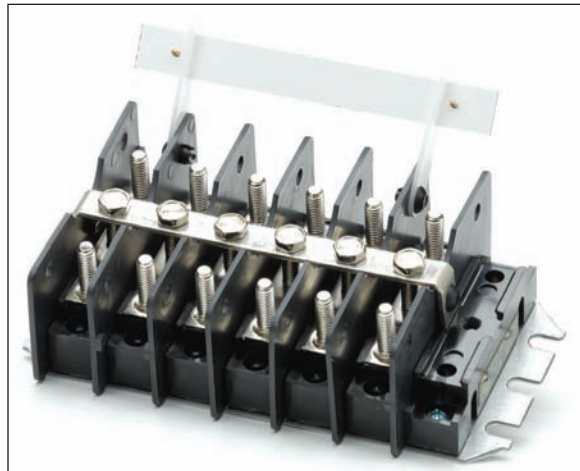


NT sliding link block with knobbed black cover

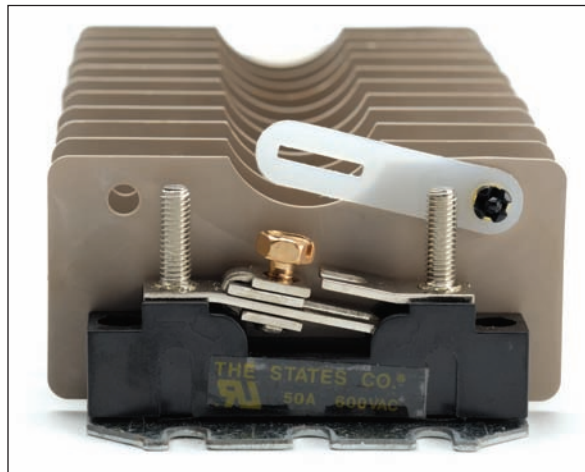
## FRONT-CONNECTED BLOCKS



ZWM Sliding Link Terminal Block with first two links in 'open' position.



Shorting Type Block with white marker strip.

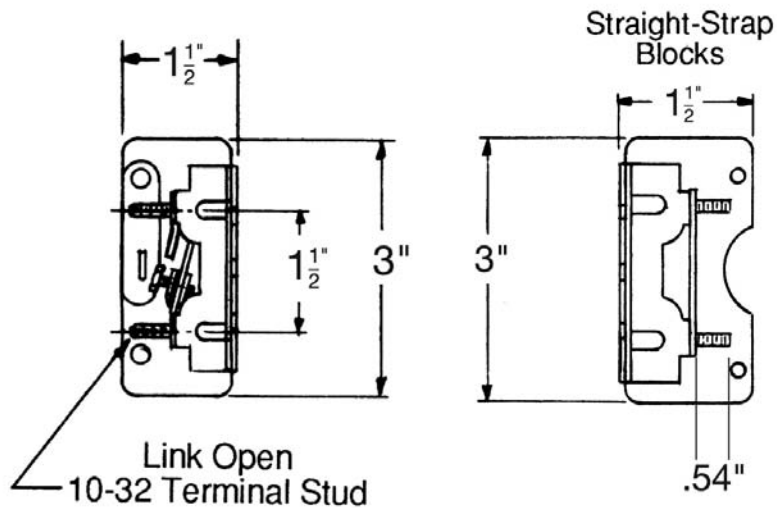
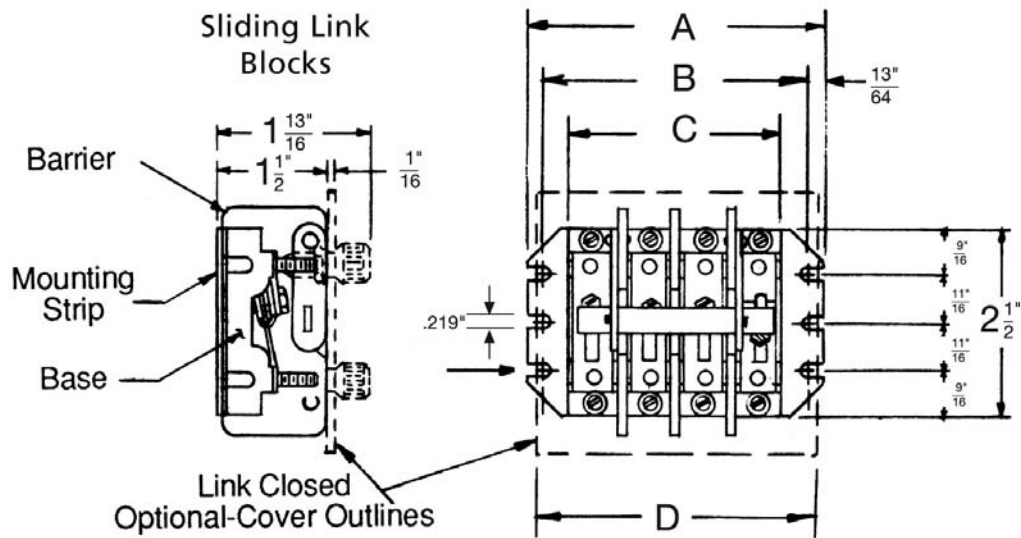


Side view of 'open' link.



White marker strip showing examples of custom engraving styles.

## DIMENSIONS (IN INCHES)



### Nut/Bolt Torque Specifications

Stud Nuts	25 inch lbs
Link Bolt	16 inch lbs

### Notes:

- Both the sliding link and straight strap types have same dimensions.
- To provide extra mounting support, at 26 poles, one blank space is added; at 51 poles, two blank spaces are added.
- Shorting Blocks, 1 extra pole.

See dimensions on page 7.

### Megger

TITLE Dimensions of the NT, ZWM and straight strap type terminal blocks.

DWG. NO. D-16191

REV. 3

The device depicted and described hereon embodies proprietary design owned by Megger. All design, manufacturing, reproduction, sales and patent rights regarding this device or drawing are reserved, except where explicit right is granted in writing.

Dimensions for drawings on page 6.

NUMBER OF POLES	A	B	C	COVER LENGTH D
1	1 3/8	3 1/2	3 5/8	
2	2	1 19/32	1 11/64	1 3/4
3	2 5/8	2 7/32	1 51/64	2 3/8
4	3 1/4	2 27/32	2 27/64	3
5	3 7/8	3 15/32	3 3/64	3 5/8
6	4 1/2	4 7/32	3 43/64	4 1/4
7	5 1/8	4 23/32	4 19/64	4 7/8
8	5 3/4	5 11/32	4 59/64	5 1/2
9	6 3/8	5 31/32	5 35/64	6 1/8
10	7	6 15/32	6 11/64	6 3/4
11	7 5/8	7 7/32	6 51/64	7 3/8
12	8 1/4	7 27/32	7 27/64	8
13	8 7/8	8 15/32	8 3/64	8 5/8
14	9 1/2	9 3/32	8 43/64	9 1/4
15	10 1/8	9 23/32	9 19/64	9 7/8
16	10 3/4	10 11/32	9 59/64	10 1/2
17	11 3/8	10 31/32	10 35/64	11 1/8
18	12	11 17/32	11 11/64	11 3/4
19	12 5/8	12 7/32	11 51/64	12 3/8
20	13 1/4	12 27/32	12 27/64	13
21	13 7/8	13 15/32	13 3/64	13 5/8
22	14 1/2	14 3/32	13 43/64	14 1/4
23	15 1/8	14 23/32	14 19/64	14 7/8
24	15 3/4	15 11/32	14 59/64	15 1/2
25	16 3/8	15 31/32	15 35/64	16 1/8
26	17 5/8	17 7/32	16 51/64	
27	18 1/4	17 27/32	17 27/64	
28	18 7/8	18 15/32	18 3/64	
29	19 1/2	19 3/32	18 43/64	
30	20 1/8	19 23/32	19 19/64	
31	20 3/4	20 11/32	19 59/64	
32	21 3/8	20 31/32	20 35/64	
33	22	21 17/32	21 11/64	
34	22 5/8	22 7/32	21 51/64	
35	23 1/4	22 27/32	22 27/64	
36	23 7/8	23 15/32	23 3/64	
37	24 1/2	24 3/32	23 43/64	
38	25 1/8	24 23/32	24 19/64	
39	25 3/4	25 11/32	24 59/64	
40	26 3/8	25 31/32	25 35/64	
41	27	26 15/32	26 11/64	
42	27 5/8	27 7/32	26 51/64	
43	28 1/4	27 27/32	27 27/64	
44	28 7/8	28 15/32	28 3/64	
45	29 1/2	29 3/32	28 43/64	
46	30 1/8	29 23/32	29 19/64	
47	30 3/4	30 11/32	29 59/64	
48	31 3/8	30 31/32	30 35/64	
49	32	31 17/32	31 11/64	
50	32 5/8	32 7/32	31 51/64	
51	33 1/4	33 27/32	32 27/64	
52	34 1/2	34 3/32	33 43/64	

Dimensions in inches

See Jumper Strip on page 69.

No. of Poles	Black Cover	Clear Cover
02	3943-2	51459-2
03	3943-3	51459-3
04	3943-4	51459-4
05	3943-5	51459-5
06	3943-6	51459-6
07	3943-7	51459-7
08	3943-8	51459-8
09	3943-9	51459-9
10	3943-10	51459-10
11	3943-11	51459-11
12	3943-12	51459-12
13	3943-13	51459-13
14	3943-14	51459-14
15	3943-15	51459-15
16	3943-16	51459-16
17	3943-17	51459-17
18	3943-18	51459-18
19	3943-19	51459-19
20	3943-20	51459-20
21	3943-21	51459-21
22	3943-22	51459-22
23	3943-23	51459-24
24	3943-24	51459-24
25	3943-25	51459-25

**Note:** Cover will not fit well with certain fuse holders.

