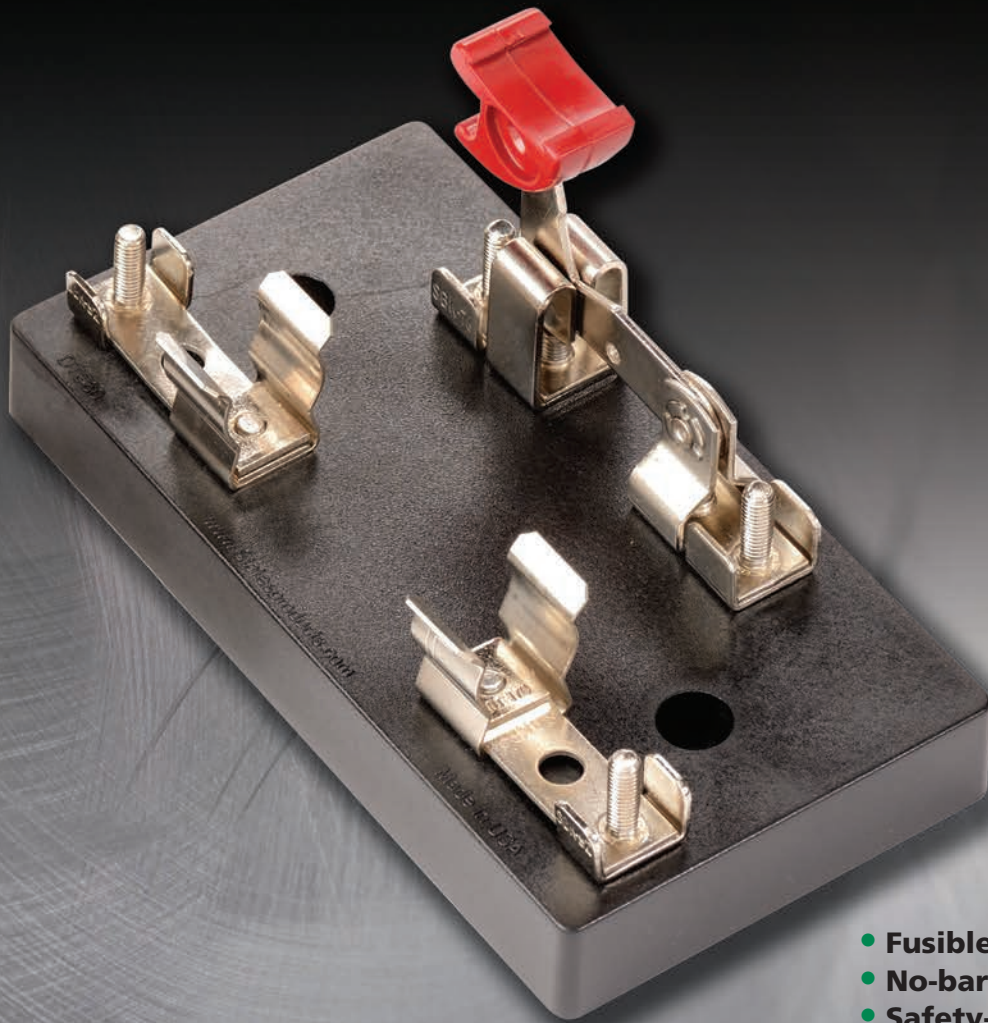


# DTE

---

## Test Switches



- Fusible switch
- No-barrier design
- Safety-grip handle

# STATES®

The STATES DTE Test Switches are a single pole fusible knife blade switch for testing applications where overcurrent protection is required. These are available with different color handles to meet your specifications.



## SPECIFICATIONS

DTE TEST SWITCH TECHNICAL SPECIFICATIONS	
<b>DTE30</b>	<b>Fusible Test Switch</b>
Voltage Rating	600VAC
Current Rating	30A
Recommended Wire Size Range	Min 14awg / Max 10awg
Recommended Wire Lug Size	#10
Stud Thread	10-32
Recommended Torque for Stud Wiring Connections	Max 25in/lbs
Fuse Clip Rating	30A
Fuse Clip Dimensions - 250 VAC 30 Amp *Fuse Not Included	1/2" Diameter 2" Length
Ambient Temperature	104° F (40° C)
#42	Single Potential Switch Element
<b>DTE60</b>	<b>Fusible Test Switch</b>
Voltage Rating	600VAC
Current Rating	60A
Recommended Wire Size Range	Min 14awg / Max 10awg
Recommended Wire Lug Size	#10
Stud Thread	10-32
Recommended Torque for Stud Wiring Connections	Max 25in/lbs
Fuse Clip Rating	60A
Fuse Clip Dimensions - 600 VAC 60 Amp *Fuse Not Included	3/4" Diameter 3" Length
Ambient Temperature	104° F (40° C)
#42	Single Potential Switch Element

## ORDERING INFORMATION

**Part No. DTE30**

DTE 2 Pole ARR: #42 with a 30 amp fuse holder (red potential handle)

**Part No. DTE30K**

DTE 2 Pole ARR: #42K with a 30 amp fuse holder (black potential handle)

**Part No. DTE30B**

DTE 2 Pole ARR: #42B with a 30 amp fuse holder (blue potential handle)

**Part No. DTE30G**

DTE 2 Pole ARR: #42G with a 30 amp fuse holder (green potential handle)

**Part No. DTE30E**

DTE 2 Pole ARR: #42E with a 30 amp fuse holder (orange potential handle)

**Part No. DTE30W**

DTE 2 Pole ARR: #42W with a 30 amp fuse holder (white potential handle)

**Part No. DTE30N**

DTE 2 Pole ARR: #42N with a 30 amp fuse holder (brown potential handle)

**Part No. DTE30Y**

DTE 2 Pole ARR: #42Y with a 30 amp fuse holder (yellow potential handle)

**Part No. DTE60**

DTE 2 Pole ARR: #42 with a 60 amp fuse holder (red potential handle)

**Part No. DTE60K**

DTE 2 Pole ARR: #42K with a 60 amp fuse holder (black potential handle)

**Part No. DTE60B**

DTE 2 Pole ARR: #42B with a 60 amp fuse holder (blue potential handle)

**Part No. DTE60G**

DTE 2 Pole ARR: #42G with a 60 amp fuse holder (green potential handle)

**Part No. DTE60E**

DTE 2 Pole ARR: #42E with a 60 amp fuse holder (orange potential handle)

**Part No. DTE60W**

DTE 2 Pole ARR: #42W with a 60 amp fuse holder (white potential handle)

**Part No. DTE60N**

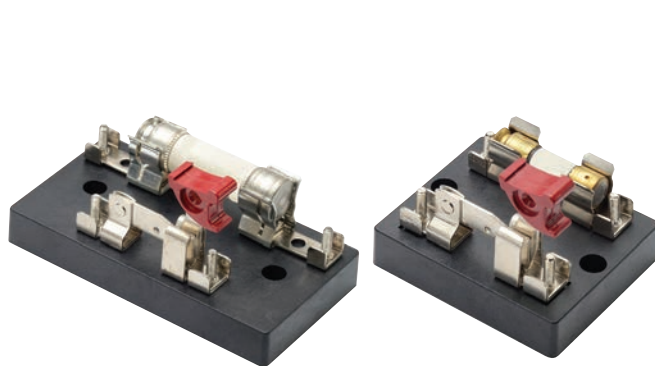
DTE 2 Pole ARR: #42N with a 60 amp fuse holder (brown potential handle)

**Part No. DTE60Y**

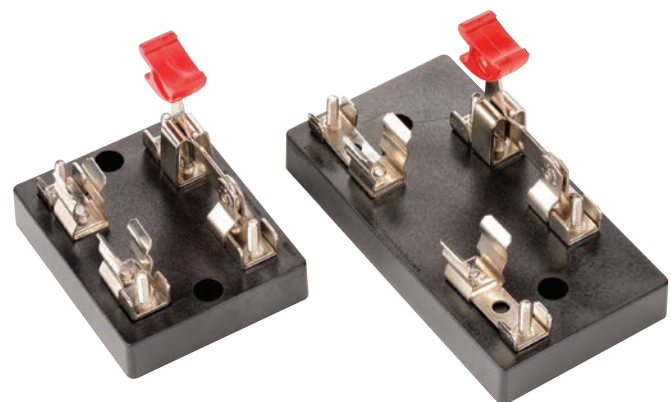
DTE 2 Pole ARR: #42Y with a 60 amp fuse holder (yellow potential handle)

**FUSE NOT INCLUDED**

**FUSE NOT INCLUDED**



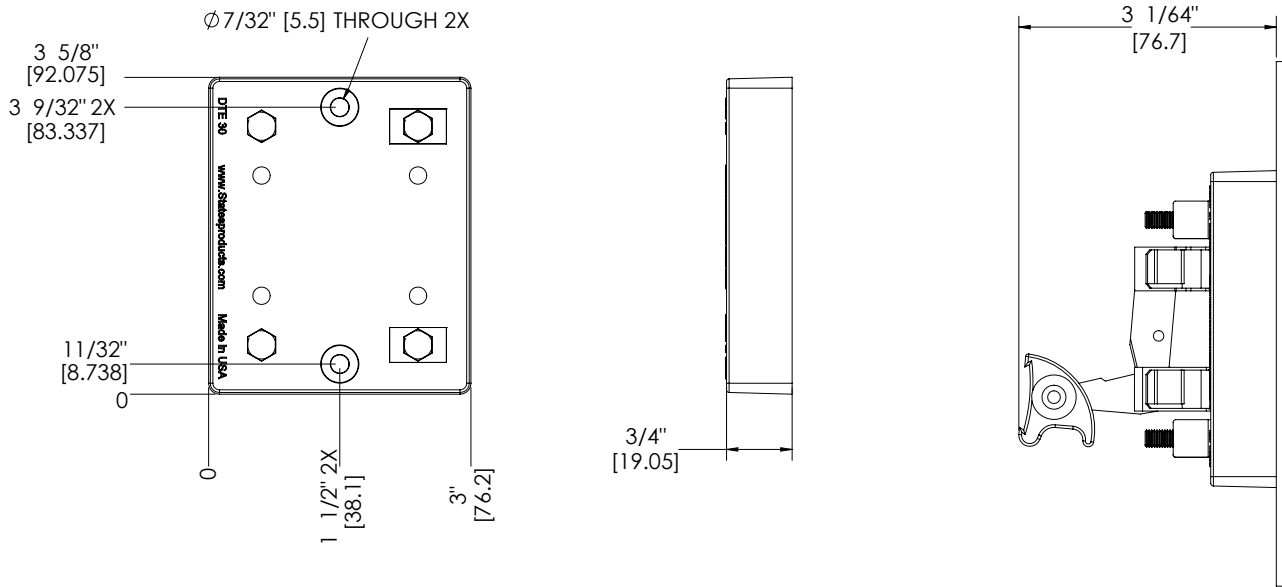
DTE60 (on left) DTE30 (on right) shown with fuses



DTE30 (on left) DTE60 (on right) without fuses

Covers are not available for these switches.

**DTE30 BASE**  
**DIMENSIONS IN INCHES [MM]**



**DTE60 BASE**  
**DIMENSIONS IN INCHES [MM]**

