

2RK1

Test Switches



- No-barrier design
- Compact
- Front connected
- Safety-grip handle

STATES®

The 2RK1 Test Switch is a single potential pole knife blade switch with wiring connections on the side for those applications where space is limited. These are available with different color handles to meet your specifications.



SPECIFICATIONS

2RK1 TEST SWITCH TECHNICAL SPECIFICATIONS	
Brief Description	Side Connected Test Switch
Voltage Rating	600VAC
Current Rating	30A
Recommended Wire Size Range	Min 14awg / Max 10awg
Recommended Wire Lug Size	#10
Stud Thread	10-32
Recommended Torque for Stud Wiring Connections	Max 25in/lbs
Ambient Temperature	104° F (40° C)

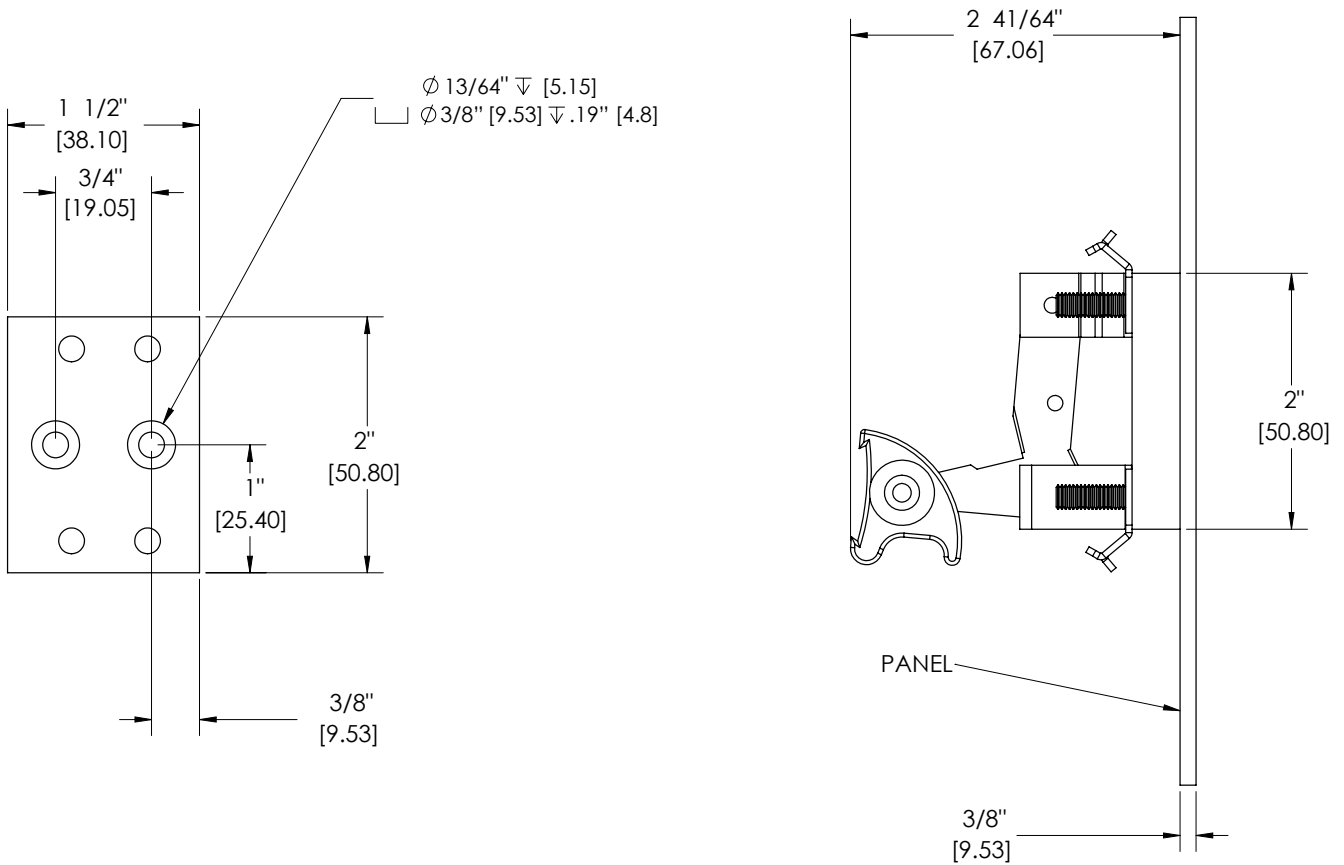
ORDERING INFORMATION

- Part No. 2RK1-A** 1 Pole Switch ARR: 1Y - Single pole potential with a yellow handle
- Part No. 2RK1-B** 1 Pole Switch ARR: 1 - Single pole potential with a red handle
- Part No. 2RK1-C** 1 Pole Switch ARR: 1K - Single pole potential with a black handle
- Part No. 2RK1-D** 1 Pole Switch ARR: 1W - Single pole potential with a white handle
- Part No. 2RK1-E** 1 Pole Switch ARR: 1B - Single pole potential with a blue handle
- Part No. 2RK1-F** 1 Pole Switch ARR: 1G - Single pole potential with a green handle

2RK1 Test Switches



DIMENSIONS IN INCHES [MM]



Covers are not available for these switches.

2RK1
Test Switches